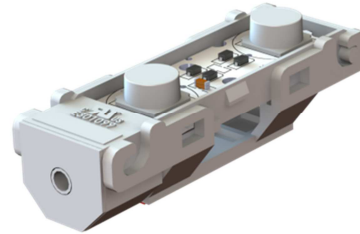


Product Sheet

Polyoptik™ 180°x180° LED module



Designed for the architectural lighting industry, the Polyoptik™ 180°x180° is part of the Polyoptik™ modules family. For fast and easy installation the LED modules are inserted on one electrical conductor connected to the LED Master Power Supply (LMPS). The power Contactless LED technology eliminates electrical contacts and risks of corrosion.

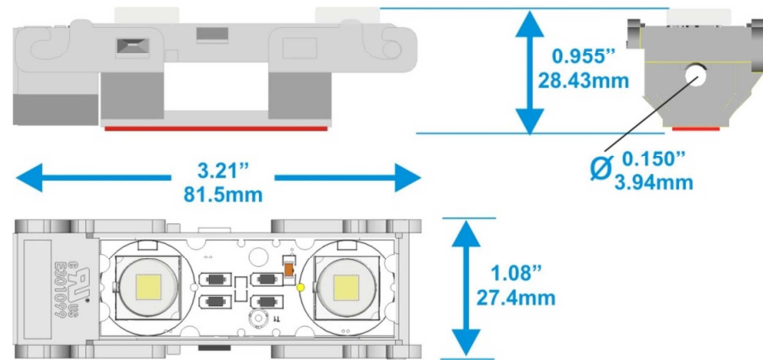


Please refer to the Polyoptik™ specification sheet and to technical bulletin #34 for all the complete information regarding this product.

Characteristics

Input Power	Only from the following Class 2 power supplies: LMPS-350 or LMPS-750
Dimming Option	Only with: LMPS-Dimmer Controller and LMPS-Dimmer Extender
Beam Angle	180° X180°
LED Color Spectrum	White 3000K, 3500K
Chromaticity Tolerance	3-Step MacAdam ellipse
Ambient Operating Temperature	-40°F to 122°F (-40°C to 50°C)
Operating Environment	Dry and damp locations (with LMPS-350 and LMPS-750), wet locations (only with LMPS-350)
Ingress Protection Rating	IP67
Warranty	5 years

Dimensions



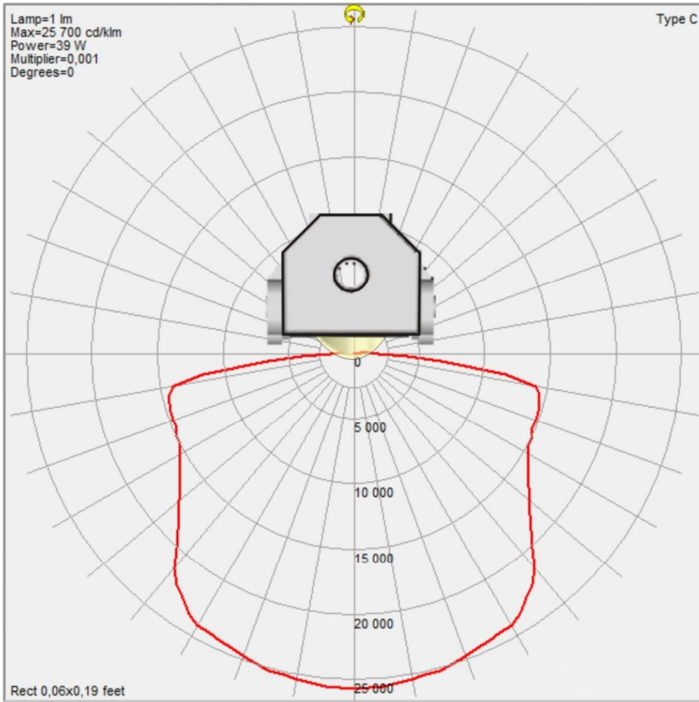
Loading Information

LEDs per module	Modules per foot	Consumption		Maximum number of modules	
		Watts per module	Watts per foot	White (3000K, 3500K, 6500K)	
				LMPS-350	LMPS-750
2	4 (12.84 inches)	1.35	5.4	26	55

Photometric Information **

Lumens per modules		Lumens per foot*		Lumens per watt		CRI	
3000K	3500K	3000K	3500K	3000K	3500K	3000K	3500K
98	106	392	424	76	79	82	82

* All values are for the maximum allowable number of modules per foot / ** Photometric data is subject to change, LM-79 data & IES files are available for 3500K modules.



Illuminance at a Distance

	Center Beam fc	Beam Width
2.0ft	69 Lux (6,4 fc)	26.0 ft 27.5 ft
4.0ft	17 Lux (1,6 fc)	52.0 ft 55.0 ft
6.0ft	8 Lux (0,71 fc)	78.0 ft 82.6 ft
8.0ft	4 Lux (0,4 fc)	104.0 ft 110.1 ft
10.0ft	3 Lux (0,26 fc)	129.9 ft 137.6 ft

■ Vert. Spread ■ Horiz. Spread

Ordering Information

Product	Product number
Polyoptik™ 180° X180° 3000K	VI-POL-2-30K-180X180
Polyoptik™ 180° X180° 3500K	VI-POL-2-35K-180X180

HEICO lighting™
400 du Parc, Saint-Eustache
Québec, Canada, J7R 0A1
+ 1.800.665.1166
www.heicolighting.com