

Product Sheet Virgo+ LS1 LED module

Designed for the architectural lighting industry, the Virgo+ LS1 module is part of the Virgolite™ modules family. For fast and easy installation this LED module is clipped on one electrical conductor connected to the LED Master Power Supply (LMPS). The power Contactless LED technology eliminates electrical contacts and risks of corrosion.

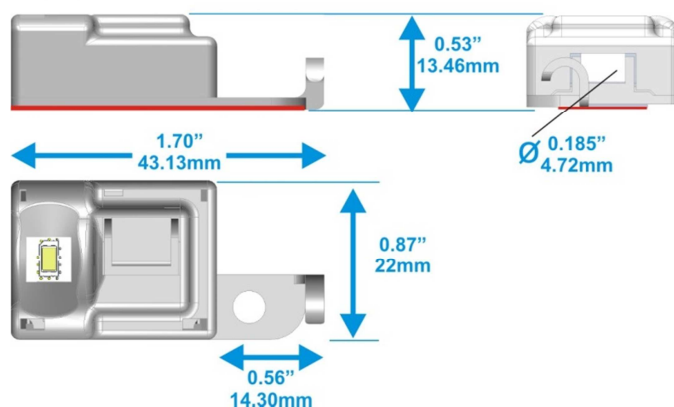
Please refer to the Virgolite™ specification sheet and to technical bulletin #7 for all the complete information regarding this product.



Characteristics

Input Power	Only from the following Class 2 power supplies: LMPS-350 or LMPS-750
Dimming Option	Only with: LMPS-Dimmer Controller and LMPS-Dimmer Extender
Beam Angle	120°
LED Color Spectrum	White 6500K
Chromaticity Tolerance	3-Step MacAdam ellipse
Ambient Operating Temperature	-40°F to 122°F (-40°C to 50°C)
Operating Environment	Dry and damp locations
Ingress Protection Rating	IP66
Warranty	5 years

Dimensions



Loading Information

LEDs per module	Modules per foot	Watts per module	Consumption					Maximum number of modules	
			Watts per foot					LMPS-350	LMPS-750
			2 modules	3 modules	7 modules	9 modules	13 modules		
1	13	0.48	0.96	1.44	3.36	4.32	6.24	72	156

Photometric Information **

Lumens per module	Lumens per foot					Lumens per watt	CRI
	2 modules	3 modules	7 modules	9 modules	13 modules		
33	66	99	231	297	429	74	84

* All values are for the maximum allowable number of modules per foot / ** Photometric data is subject to change, LM-79 data & IES files are available for 3500K modules.

Ordering Information

Product	Product number
Virgo+ LS1 6500K	VI-V1-1-65K

Specifications are subject to change without notice.
© HEICO lighting™ 2014 – All rights reserved. Made in Canada.

HEICO lighting™
400 du Parc, Saint-Eustache
Québec, Canada, J7R 0A1
+ 1.800.665.1166
www.heicolighting.com